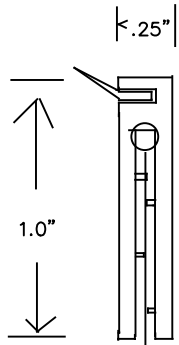
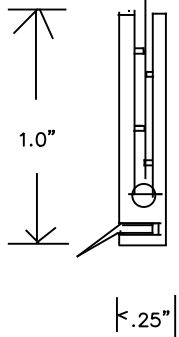


# Tough Tek Metals TTM 200

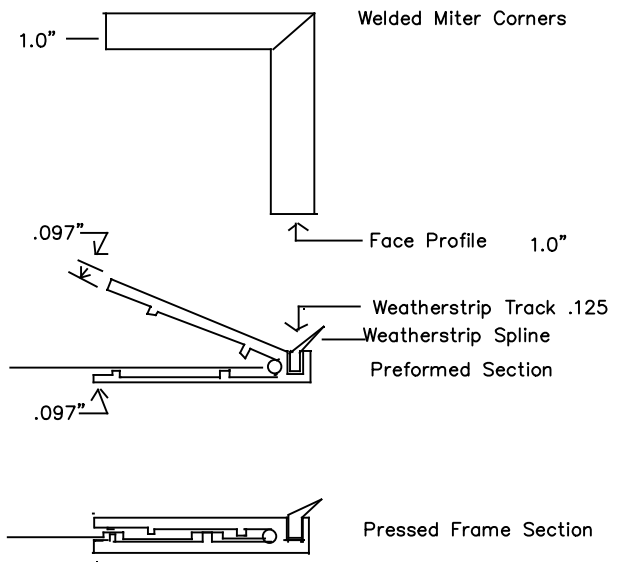


— Aluminum Frame; 6063-T6

— Stainless Steel Screen  
Material: .018, .023, .028



— Aluminum Frame; 6063-T6



Product: TTM 200		Lansing Housing Products
Project:	Patent # 9617784	Phone: 800.331.8200
Draftsman: KMM	Revision Date: 01/22/18	Fax: 563.538.4392